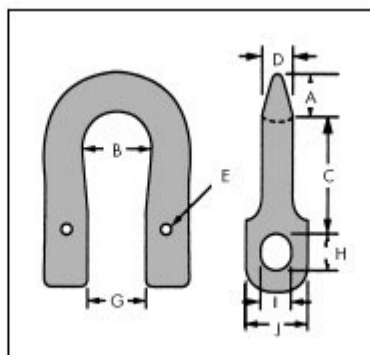


KUPLEX Kuplers

Kupler No.	Stock No.	Chain Size Inches	Working Chain Size mm	Load Limit ** Lbs.	A In.	B In.	C In.	D In.	E In.	G In.	H In.	I In.	J In.	Weight Lbs.
K-20	5981-00020	9/32	7	3,500	7/16	3/16	15/16	5/16	1/8	23/32	13/32	11/32	5/8	0.2
K-21	5981-00021	3/8	10	7,100	19/32	1-1/16	1-7/8	7/16	5/32	15/16	9/16	15/32	7/8	0.5
K-22	5981-00022	1/2	13	12,000	3/4	15/16	29/16	9/16	3/16	1-3/32	3/4	21/32	1-1/8	1.1
K-23	5981-00023	5/8	16	18,100	15/16	1-5/8	3	11/16	1/4	1-11/32	15/16	13/16	1-1/2	2
K-24	5981-00024	3/4	20	28,300	1	1-15/16	3-13/32	13/16	5/16	1-19/32	1-7/32	1	1-3/4	3.2
K-25	5981-00025	7/8	22	34,200	1-1/8	2-1/4	3-7/8	15/16	3/8	1-27/32	1-9/32	1-1/16	2	4.7

CHAIN

WARNING!
DO NOT EXCEED RATED CAPACITIES



Kuplers act as a connection device between Master Links and Chain on all multiple leg Kuplex *®* Chain Slings. On single leg assemblies they can be used in lieu of the popular Kuplex *®* Kuplink. Resembling a shackle in appearance the Kuplers provide a high strength, high integrity connection when used to connect a special attachment to the alloy chain assembly.

[Back](#) [Index](#) [Next](#)



Contact Us



Order by **Phone** 877-277-7300 **FAX** 877-277-7299